

# Transit Collection

*Heavy Duty, Durable Transit Benches*

Materials: **Mild Steel and Wood/Recycled Plastic**

The Transit Collection is characterized by extra heavy duty construction for high traffic areas such as transit stops and playing fields. The benches are available with back and backless styles, and combine well with our Transit picnic tables.



Transit Bench - TN-02100-72

- Strong 1/2" x 4" steel framework, 3" steel tube legs
- Available in Ipe, Douglas Fir, Red Cedar, and recycled plastic lumber
- Transit Collection benches are available with surface or embed mountings
- Benches feature 4" x 4" wood or recycled plastic seat slats for extra strength



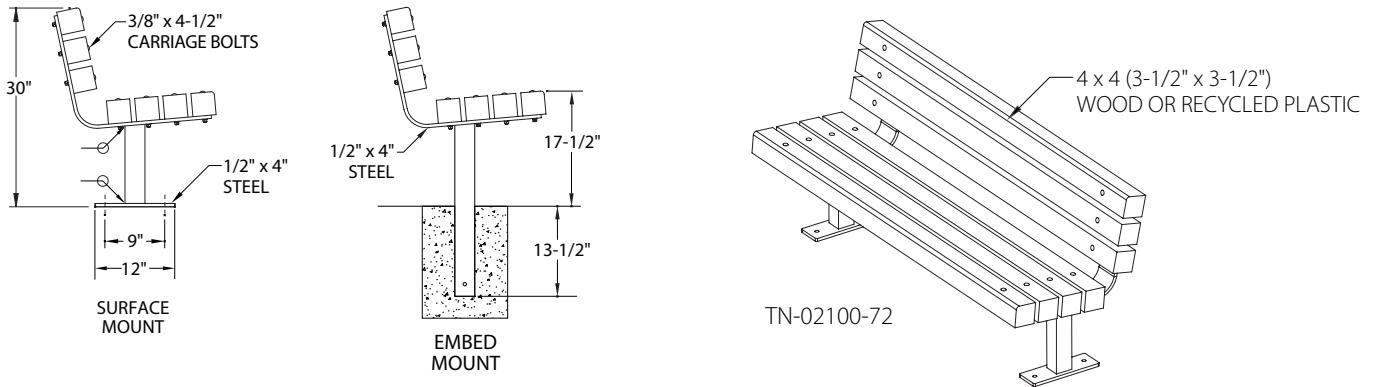
TN-02100-72

## Transit Collection Benches

### Specifications

Part No.	Description	Size (L x W x H)	Seat Height	Weight (lbs)	Mounting
TN-02100-48	Transit Bench w/Back, wood or recycled plastic (T-3)	46" x 24-3/4" x 30"	17-1/2"	155-258	Surface-mount
TN-02120-48	Transit Bench w/Back, wood or recycled plastic	46" x 24-3/4" x 30"	17-1/2"	155-258	Embed
TN-02100-60	Transit Bench w/Back, wood or recycled plastic	58" x 24-3/4" x 30"	17-1/2"	160-300	Surface-mount
TN-02120-60	Transit Bench w/Back, wood or recycled plastic	58" x 24-3/4" x 30"	17-1/2"	160-300	Embed
TN-02100-72	Transit Bench w/Back, wood or recycled plastic	70" x 24-3/4" x 30"	17-1/2"	176-344	Surface-mount
TN-02120-72	Transit Bench w/Back, wood or recycled plastic	70" x 24-3/4" x 30"	17-1/2"	176-344	Embed
TN-02100-96	Transit Bench w/Back, wood or recycled plastic	94" x 24-3/4" x 30"	17-1/2"	212-436	Surface-mount
TN-02120-96	Transit Bench w/Back, wood or recycled plastic	94" x 24-3/4" x 30"	17-1/2"	212-436	Embed
TN-CA	Optional flat arms for backed benches (ea.)			15	
TN-CA-T	Optional tube arms for backed benches (ea.)			17	

\* Weight varies depending on material used.



Transit benches are available with surface or embed mountings in 48", 60", 72", and 96" lengths. Carriage bolt assembly is standard; lag bolt assembly available on request, no extra charge. Available with bench slats in Ipe, Red Cedar, Douglas Fir or recycled plastic lumber.

**Note:** All Transit Benches require assembly as they ship either dismantled or partially dismantled.





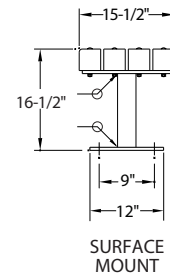
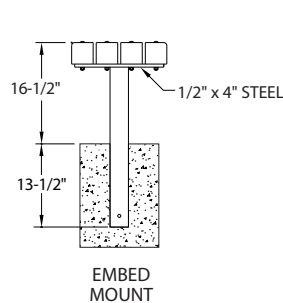
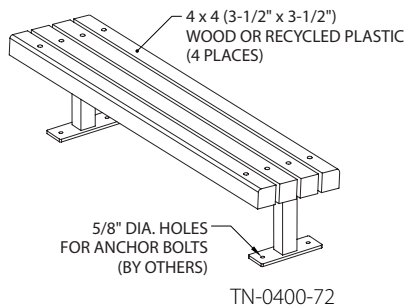
TN-0400-72

## Transit Collection Benches

### Specifications

Part No.	Description	Size (L x W x H)	Seat Height	Weight (lbs)	Mounting
TN-0400-48	Transit Backless Bench, wood or recycled plastic (T-1)	46" x 15-1/2" x 16-1/2"	16-1/2"	102-176	Surface-mount
TN-0420-48	Transit Backless Bench, wood or recycled plastic	46" x 15-1/2" x 16-1/2"	16-1/2"	102-176	Embed
TN-0400-60	Transit Backless Bench, wood or recycled plastic	58" x 15-1/2" x 16-1/2"	16-1/2"	110-200	Surface-mount
TN-0420-60	Transit Backless Bench, wood or recycled plastic	58" x 15-1/2" x 16-1/2"	16-1/2"	110-200	Embed
TN-0400-72	Transit Backless Bench, wood or recycled plastic	70" x 15-1/2" x 16-1/2"	16-1/2"	128-224	Surface-mount
TN-0420-72	Transit Backless Bench, wood or recycled plastic	70" x 15-1/2" x 16-1/2"	16-1/2"	128-224	Embed
TN-0400-96	Transit Backless Bench, wood or recycled plastic	94" x 15-1/2" x 16-1/2"	16-1/2"	174-302	Surface-mount
TN-0420-96	Transit Backless Bench, wood or recycled plastic	94" x 15-1/2" x 16-1/2"	16-1/2"	174-302	Embed
TN-AR	Optional Backless Arms (ea)			15	

\* Weight varies depending on material used.



TN-02100 with Hot-Dip Galvanized Frame and Memorial Plaque

### Wood

Wood Elements may be fabricated from any of the many available wood species. The woods most often specified are vertical grain Douglas Fir, Western Red Cedar, and Ipe - a hardwood that works well for interior or exterior use.

### Recycled Plastic

Recycled plastic offers an environmentally-friendly alternative to wood. It is practically maintenance free and will sustain its color and appearance for years. Our recycled plastic is made from purified high density polyethylene and includes UV inhibitors to reduce fading. It will not rot, warp, splinter or crack.

Transit benches are available with surface or embed mountings in 48", 60", 72", and 96" lengths. Carriage bolt assembly is standard; lag bolt assembly available on request, no extra charge. Available with bench slats in Ipe, Red Cedar, Douglas Fir or recycled plastic lumber.

**Note:** All Transit Benches require assembly as they ship either dismantled or partially dismantled.



The Transit Collection is also available with matching square and rectangle picnic tables. Transit tables are a popular choice for public parks, courtyards, eating and game areas. They are durable, blending well with our wood and/or steel benches. See the Transit table detail sheet for more information.